

THIS DRAWING IS UNPUBLISHED. RELEASED FOR PUBLICATION
 © COPYRIGHT - By - ALL RIGHTS RESERVED.

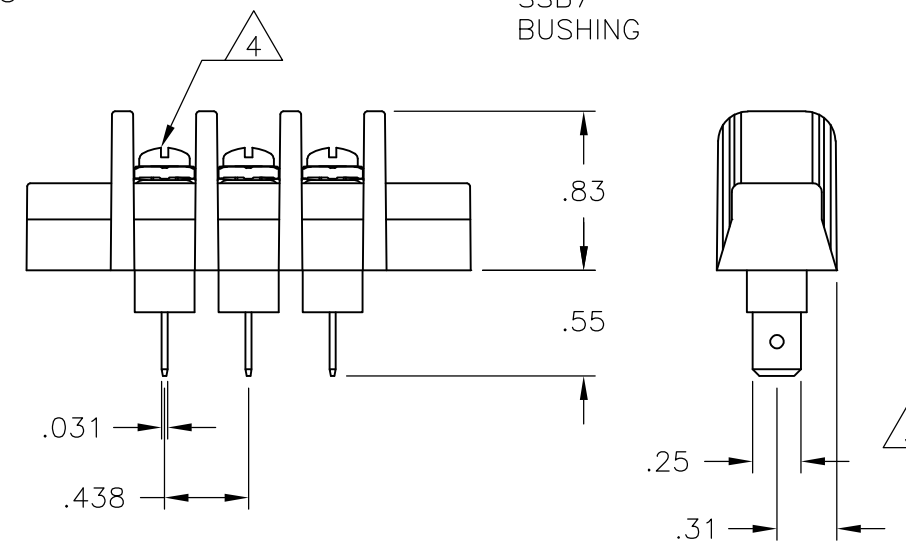
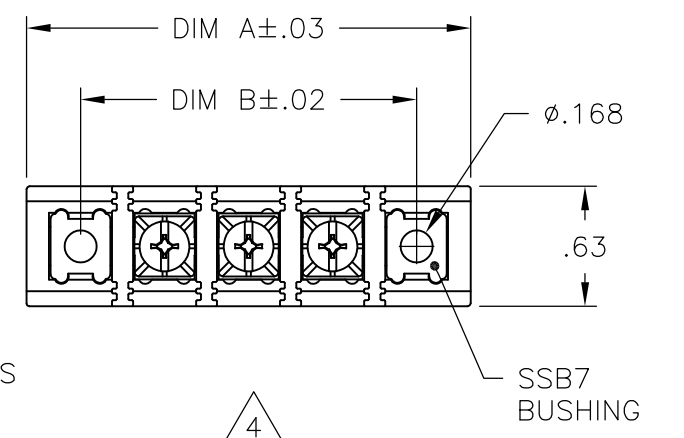
LOC	DIST	REVISIONS					
FT	0	P	LTR	DESCRIPTION	DATE	DWN	APVD
			B	REVISED PER ECO-11-023039	20FEB12	KH	MS

MATERIAL:
 HOUSING: THERMOPLASTIC, UL94V-2, BLACK.
 TERMINALS: BRASS, BRIGHT TIN PLATE.
 SCREWS: 6-32, STEEL, PLATED .0002 MIN ZINC
 W/ CLEAR CHROMATE COATING. UNLESS
 OTHERWISE SPECIFIED.

ELECTRICAL:
 MAXIMUM CURRENT: 20A.
 OPERATING VOLTAGE: 600V.
 WIRE RANGE: 12-22 AWG.

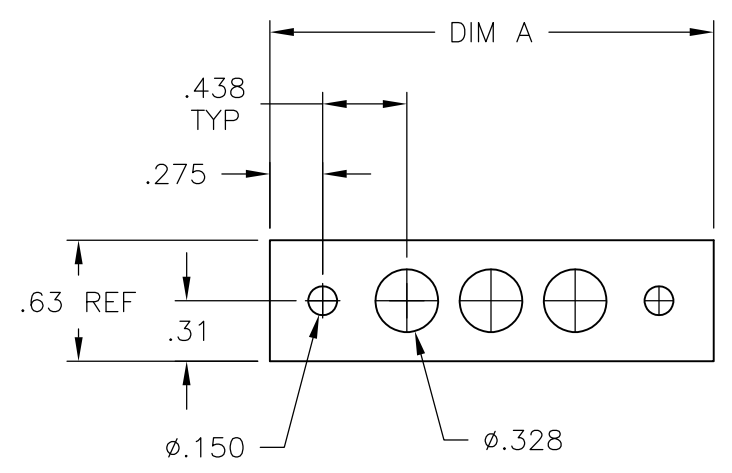
ENVIRONMENTAL:
 OPERATING TEMP.: -60°C TO +105°C

- 1 NICKEL PLATED BRASS SCREWS.
- 2 SEE DETAIL FOR SPECIAL MARKING.
- 3 OBSOLETE PARTS: OBSOLETE CIS STREAMLINING PER D.RENAUD/D.SINISI
- 4 ALL SCREWS BOTTOMED, TORQUE 2 TO 4 IN-LBS



1	YES	9.187	9.750	20	SSB7TG200502	2-1546969-0	
1	YES	8.750	9.312	19	SSB7TG190509	2-1546969-9	
	YES	8.750	9.312	19	SSB7TG190502	1-1546969-9	
	YES	8.312	8.875	18	SSB7TG180502	1-1546969-8	
	YES	7.875	8.437	17	SSB7TG170502	1-1546969-7	
	YES	7.437	8.000	16	SSB7TG160502	1-1546969-6	
	YES	7.000	7.562	15	SSB7TG150502	1-1546969-5	
	YES	6.562	7.125	14	SSB7TG140502	1-1546969-4	
	YES	6.125	6.687	13	SSB7TG130502	1-1546969-3	
	YES	5.687	6.250	12	SSB7TG120502	1-1546969-2	
	YES	5.250	5.812	11	SSB7TG110502	1-1546969-1	
1	YES	4.812	5.375	10	SSB7TF100509	2-1546969-8	
	NO	4.812	5.375	10	SSB7TF100502	2-1546969-6	
	YES	4.812	5.375	10	SSB7TG100502	1-1546969-0	
	YES	4.375	4.937	9	SSB7TG090502	1546969-9	
	YES	3.937	4.500	8	SSB7TG080502	9-1437416-8	
	YES	3.500	4.062	7	SSB7TG070502	1546969-7	
	YES	3.062	3.625	6	SSB7TG060502	1546969-6	
	OBSOLETE	NO	2.625	3.187	5	SSB7TF050502	4-796602-4
	YES	2.625	3.187	5	SSB7TG050502	1546969-5	
	OBSOLETE	NO	2.187	2.750	4	SSB7TF040502	8-1437416-4
	OBSOLETE	YES	2.187	2.750	4	SSB7TG040509	2-1546561-1
	YES	2.187	2.750	4	SSB7TG040502	3-796602-8	
	OBSOLETE	NO	1.750	2.312	3	SSB7TF030502	8-1437416-3
	YES	1.750	2.312	3	SSB7TG030502	9-1437416-4	
1	YES	1.312	1.875	2	SSB7TG020509	2-1546969-7	
	YES	1.312	1.875	2	SSB7TG020502	9-1437416-2	
	YES	.875	1.437	1	SSB7TG010502	1546969-1	

SSB7 BUSHING	DIM B	DIM A	NO. OF POS.	CATALOG NUMBER	PART NUMBER
--------------	-------	-------	-------------	----------------	-------------



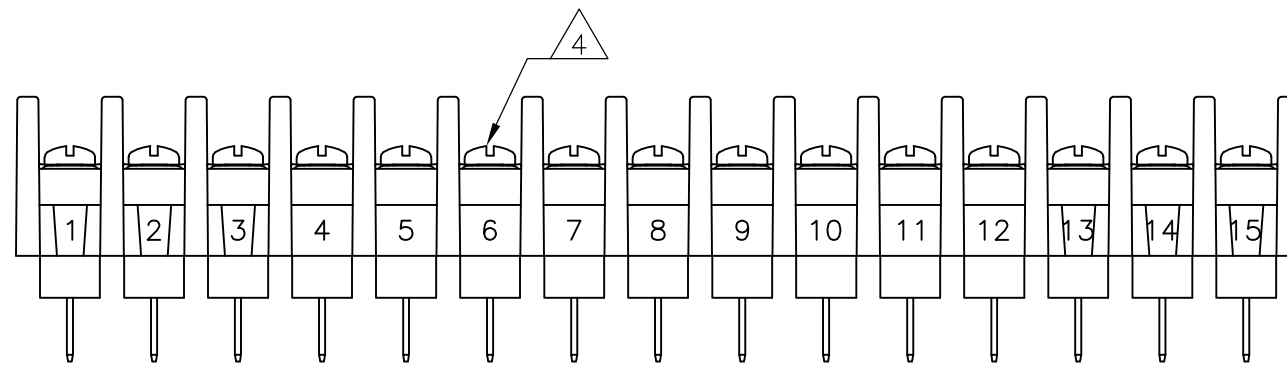
RECOMMENDED PANEL LAYOUT

THIS DRAWING IS A CONTROLLED DOCUMENT.		DWN S SCHL GEL 1/26/05	 TE Connectivity
DIMENSIONS: INCHES		CHK S YODER 1/26/05	
TOLERANCES UNLESS OTHERWISE SPECIFIED:		APVD S YODER 1/26/05	
0 PLC ± - 1 PLC ± - 2 PLC ± .02 3 PLC ± .010 4 PLC ± - ANGLES ± 1°		NAME	
MATERIAL -		PRODUCT SPEC -	SSB7TGXX0502
FINISH -		APPLICATION SPEC -	SIZE A3
		WEIGHT -	CAGE CODE 00779
			DRAWING NO C-3-796602-8
			RESTRICTED TO -
			SCALE NTS
			SHEET 1 OF 2
			REV B

CUSTOMER DRAWING		SCALE NTS	SHEET 1 OF 2	REV B
------------------	--	-----------	--------------	-------


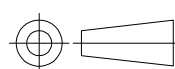
THIS DRAWING IS UNPUBLISHED. RELEASED FOR PUBLICATION
 © COPYRIGHT - By - ALL RIGHTS RESERVED.

LOC	DIST	REVISIONS					
FT	0	P	LTR	DESCRIPTION	DATE	DWN	APVD
		-		SEE SHEET 1	-	-	-



3-1546969-0

YES	7.000	7.562	15	SSB7TF15050213	3-1546969-0
YES	11.375	11.937	25	SSB7TG250502	2-1546969-5
YES	10.937	11.500	24	SSB7TG240502	2-1546969-4
YES	10.500	11.062	23	SSB7TG230502	2-1546969-3
YES	10.062	10.625	22	SSB7TG220502	2-1546969-2
YES	9.625	10.187	21	SSB7TG210502	2-1546969-1
SSB7 BUSHING	DIM B	DIM A	NO. OF POS.	CATALOG NUMBER	PART NUMBER

THIS DRAWING IS A CONTROLLED DOCUMENT.		DWN	S SCHLGEL	1/26/05	 TE Connectivity	
DIMENSIONS: INCHES		CHK	S YODER	1/26/05		
		APVD	S YODER	1/26/05		
TOLERANCES UNLESS OTHERWISE SPECIFIED:		PRODUCT SPEC		NAME		
0 PLC ± -		-		SSB7TGXX0502		
1 PLC ± -		APPLICATION SPEC		RESTRICTED TO		
2 PLC ± .02		-		SIZE	CAGE CODE	DRAWING NO
3 PLC ± .010		-		A3	00779	C-3-796602-8
4 PLC ± -		WEIGHT		-		
ANGLES ± 1°		CUSTOMER DRAWING		SCALE	SHEET	REV
MATERIAL		-		NTS	2 OF 2	B
FINISH		-				